




Product Marking

	TITLE: PRODUCT PACKAGE MARKING FORMATS					MODEL:	
	ENG: AB	DWN: mc	DATE: 032806	SH: OF: 1 19	DWG NO: OFFL133	REV: L	DATE: 030422


This page intentionally left blank.

	TITLE: PRODUCT PACKAGE MARKING FORMATS					MODEL:	
	ENG: AB	DWN: mc	DATE: 032806	SH: OF: 2 26	DWG NO: OFFL133	REV: L	DATE: 030422

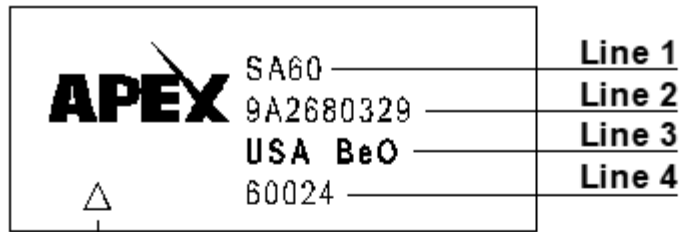
PACKAGE DESCRIPTON	PACKAGE CHARACTER DESIGNATION
7-Pin DDPACK, Surface Mount	CC
7-Pin TO220	CD
8-Pin TO3	CE
Modular 30-Pin DIP, 1.3 Spacing	CL
JEDEC MO-127, 60-Mil Pin	CR
JEDEC MO-127, 60-Mil Pin, Copper	CU
12- Pin Power Dip, High Voltage	CW
7-Pin TO220, Staggered Leads	CX
JEDEC MO-127, High Voltage	DC
10-Pin Power Dip, 60-Mil Pin	DE
24-Pin PSOP (JEDEC MO-166)	DF
20-Pin PSOP (JEDEC MO-166)	DK
12-Pin Power SIP	DP
8-Pin Power SIP	DQ
7-Pin SIP	DR
10-Pin Ceramic SIP	DW
8-Pin PSIP, 90° Formed Leads	EC
12-Pin PSIP, 90° Formed Leads	EE
18-Pin DIP, 25-Mil Pin	EL
11-Pin ZIP	EN
8-Pin PSIP, Gull Wing Leads	EP
12-Pin Molded Plastic SIP	EU
Modular 42-Pin DIP, 1.3 Spacing	FC
Modular 34-Pin DIP, 1.3 Spacing	FD
10-Pin Power SIP	FL
12-Pin PSIP, 90° FORMED LEADS, TAB DOWN	FP
10-Pin PSIP, 90° Formed Leads	FU
8-pin DIP SMT Long	GD
14-pin DIP SMT	GE
8-pin DIP SMT Short	GF
15-Pin PSIP, .186" LEADS	GL
8-Pin PSIP	GN
14-pin Hermetic Ceramic DIP	HC
20-lead Ceramic LCC	HD
44-Pin HSOP Slug Down (JEDEC MO-166)	HR
44-Pin HSOP Slug Up (JEDEC MO-166)	HU
Modular 58-Pin DIP, 2.3 Spacing	KC
8-pin DIP	KD
42-Pin Modular DIP, 1.4 Spacing	KF
42-pin DIP, 2.4" SPACING	KK
23-PIN DIP 1.3" SPACING	KL
58-Lead Double Sided Modular Dip, 2.3" Spacing	KN
30-Pin DIP, 3.0" SPACING	KP
16-Pin PDIP, 60MIL PINS	KR
15-Pin SIP, .186" LEADS	LL
Module Edge Conn 60P, 64P	NC
Card-Edge, 50P Input, 100P Ricoh Output	ND
7-pin PSIP	PC
12-Pin PSIP, 90° REVERSE FORMED LEADS	PE

	TITLE: PRODUCT PACKAGE MARKING FORMATS						MODEL:	
	ENG: AB	DWN: mc	DATE: 032806	SH: 3	OF: 26	DWG NO: OFFL133	REV: L	DATE: 030422

52 LEAD, 20MM X 20MM, POWER QUAD	PQ
12-Pin PSIP, .09" REVERSE FORMED LEADS	QE
8-Pin Power SIP, 90° Reverse Formed Leads	RC

 <p>APEX MICROTECHNOLOGY PRECISION • POWER • ANALOG</p>	TITLE: PRODUCT PACKAGE MARKING FORMATS					MODEL:	
	ENG: AB	DWN: mc	DATE: 032806	SH: 4	OF: 26	DWG NO: OFFL133	REV: L

DN, DP, DQ, DR, EC, ED, EE, EP, ET,EW,EX FL, FP, FU, GL,GN, LL, PC, PE, QE, RC PACKAGE (HYBRID SIP SERIES)



ESD & Pin 1 Identifier

LINE 1

Standard Parts: Apex Model Number
 Custom Parts: Blank

LINE 2

APEX Logo All Parts: Lot Code

↓
8A603

Date Code

↓
0337
 ↓ ↓
 2003 Work Week 37

LINE 3

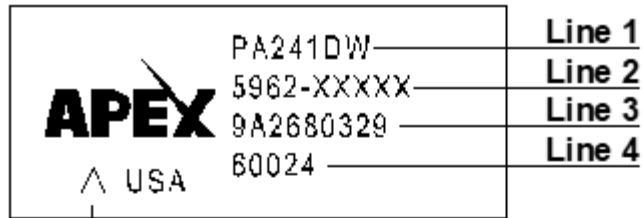
Made in U.S.A., BeO Identifier

LINE 4

"Delta" All Parts: 60024 = APEX CAGE Code

	TITLE: PRODUCT PACKAGE MARKING FORMATS					MODEL:	
	ENG: AB	DWN: mc	DATE: 032806	SH: 6	OF: 26	DWG NO: OFFL133	REV: L

DW PACKAGE (HERMETIC SIP)



ESD & Pin 1 Identifier

LINE 1

Standard Parts: Apex Model Number
 Custom Parts: Blank

LINE 2

Standard Parts: Blank
 Custom Parts: Apex Model Number

LINE 3

APEX Logo

All Parts: Lot Code

Date Code

8A603

0329


2003 Work Week 29

LINE 4

"Delta"

USA

All Parts: 60024 = APEX CAGE Code

	TITLE: PRODUCT PACKAGE MARKING FORMATS					MODEL:	
	ENG: AB	DWN: mc	DATE: 032806	SH: 7	OF: 26	DWG NO: OFFL133	REV: L

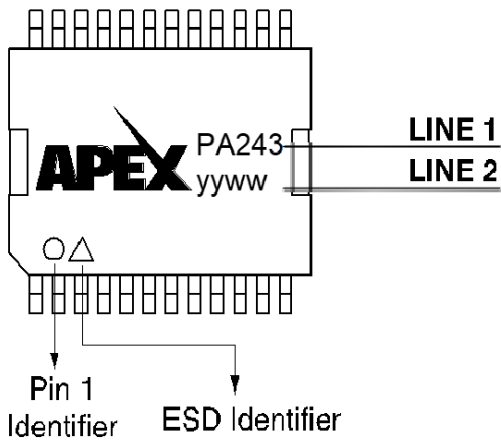
EU, PACKAGE (MONOLITHIC SIP)



LINE 1
Apex Model Number

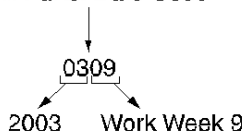
LINE 2
APEX Logo Lot Code


DF PACKAGE (24 PIN PSOP)



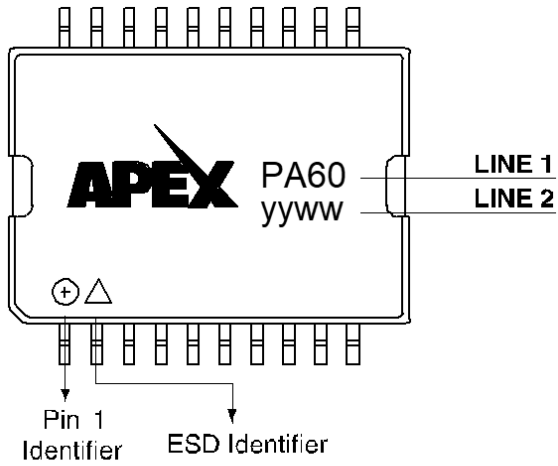
LINE 1
APEX Logo Apex Model Number

LINE 2
All Parts: Date Code



	TITLE: PRODUCT PACKAGE MARKING FORMATS					MODEL:	
	ENG: AB	DWN: mc	DATE: 032806	SH: 8	OF: 26	DWG NO: OFFL133	REV: L

DK PACKAGE (20 PIN PSOP)

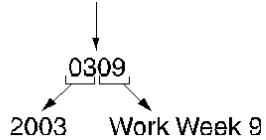


LINE 1

APEX Logo Apex Model Number

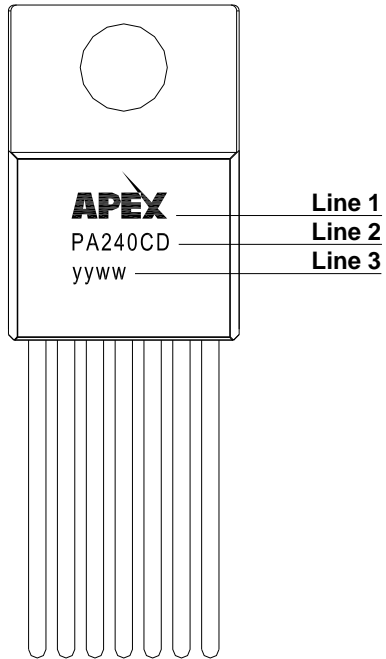
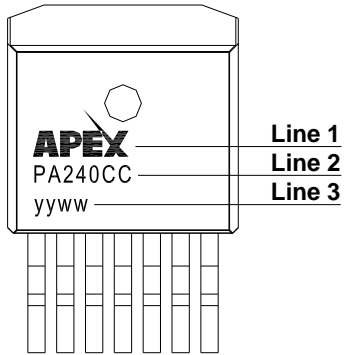
LINE 2

All Parts: Date Code



CC PACKAGE (7DDPAK)
CD, CX PACKAGE (7T0-220)

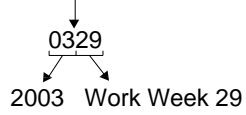
	TITLE: PRODUCT PACKAGE MARKING FORMATS					MODEL:	
	ENG: AB	DWN: mc	DATE: 032806	SH: 9	OF: 26	DWG NO: OFFL133	REV: L




LINE 1
Apex Logo

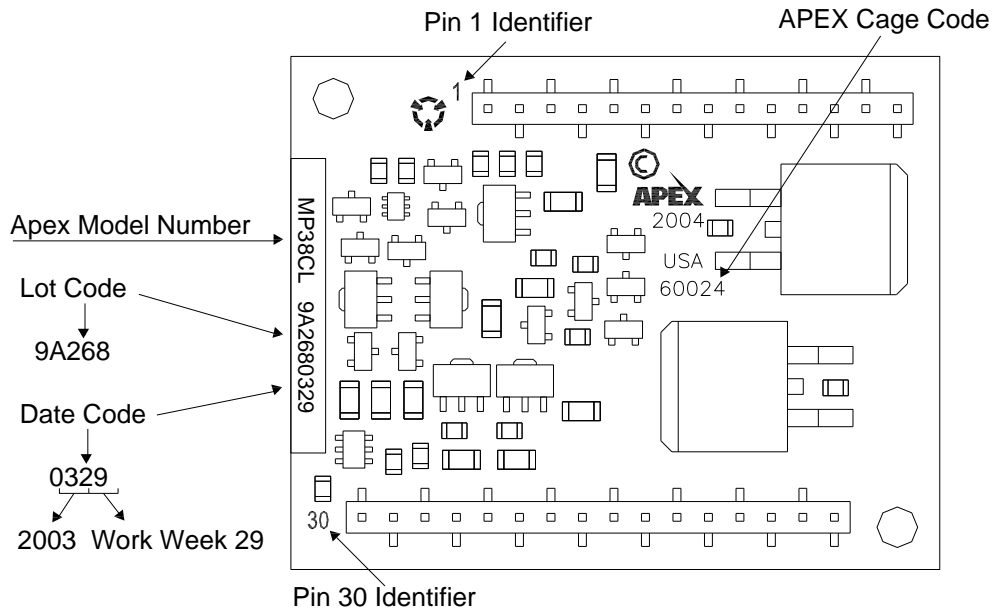
LINE 2
Apex Part Number

LINE 3
All Parts: Date Code



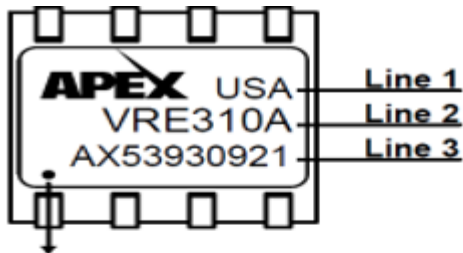
	TITLE: PRODUCT PACKAGE MARKING FORMATS					MODEL:	
	ENG: AB	DWN: mc	DATE: 032806	SH: 10	OF: 26	DWG NO: OFFL133	REV: L

CL PACKAGE (30-Pin DIP, 1.3 Spacing)



GD, GF Package (8 pin DIP SMT)

KD Package (8 pin DIP)



Pin 1 Identifier

Line 1

APEX Logo Made in U.S.A

Line 2

Standard Parts: Apex Part Number
 Custom Parts: Blank

Line 3


All Parts: Lot Code

Date Code

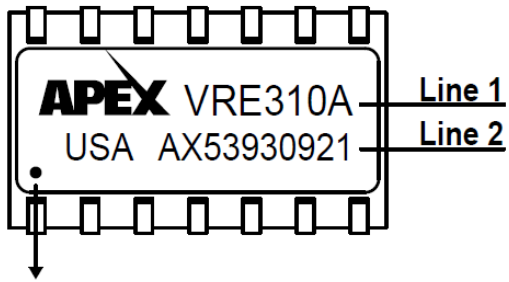
AX5393

0921

2009 Work Week 21

	TITLE: PRODUCT PACKAGE MARKING FORMATS					MODEL:	
	ENG: AB	DWN: mc	DATE: 032806	SH: 11	OF: 26	DWG NO: OFFL133	REV: L

GE Package (14 pin DIP SMT)



Pin 1 Identifier

Line 1

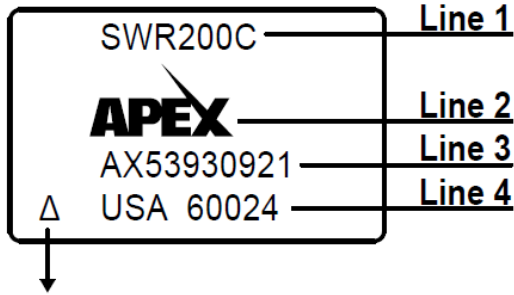
APEX Logo Standard Parts: Apex Part Number
 Custom Parts: Blank

Line 2

Made in U.S.A. Lot Code Date Code

	TITLE: PRODUCT PACKAGE MARKING FORMATS					MODEL:	
	ENG: AB	DWN: mc	DATE: 032806	SH: 12 OF: 26	DWG NO: OFFL133	REV: L	DATE: 030422

HC Package (14 pin Hermetic DIP)



ESD & Pin 1
Identifier

Line 1

Standard Parts: Apex Part Number
Custom Parts: Blank

Line 2

All Parts: Apex Logo

Line 3

All Parts: Lot Code


Date Code

↓
AX5393

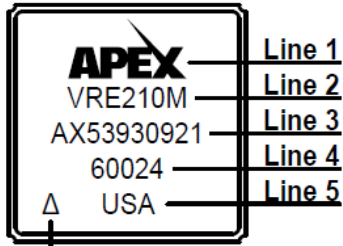
↓
0921
↙ ↘
2009 Work Week 21

Line 4

Made in U.S.A., 60024 = APEX CAGE Code

	TITLE: PRODUCT PACKAGE MARKING FORMATS					MODEL:	
	ENG: AB	DWN: mc	DATE: 032806	SH: 13 OF: 26	DWG NO: OFFL133	REV: L	DATE: 030422

HD Package (20 pin Ceramic LCC)



Pin 1 Identifier

Line 1

All Parts: Apex Logo

Line 2

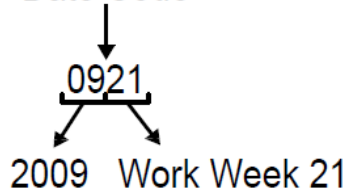
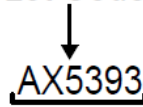
Standard Parts: Apex Part Number

Custom Parts: Blank

Line 3

All Parts: Lot Code

Date Code



Line 4

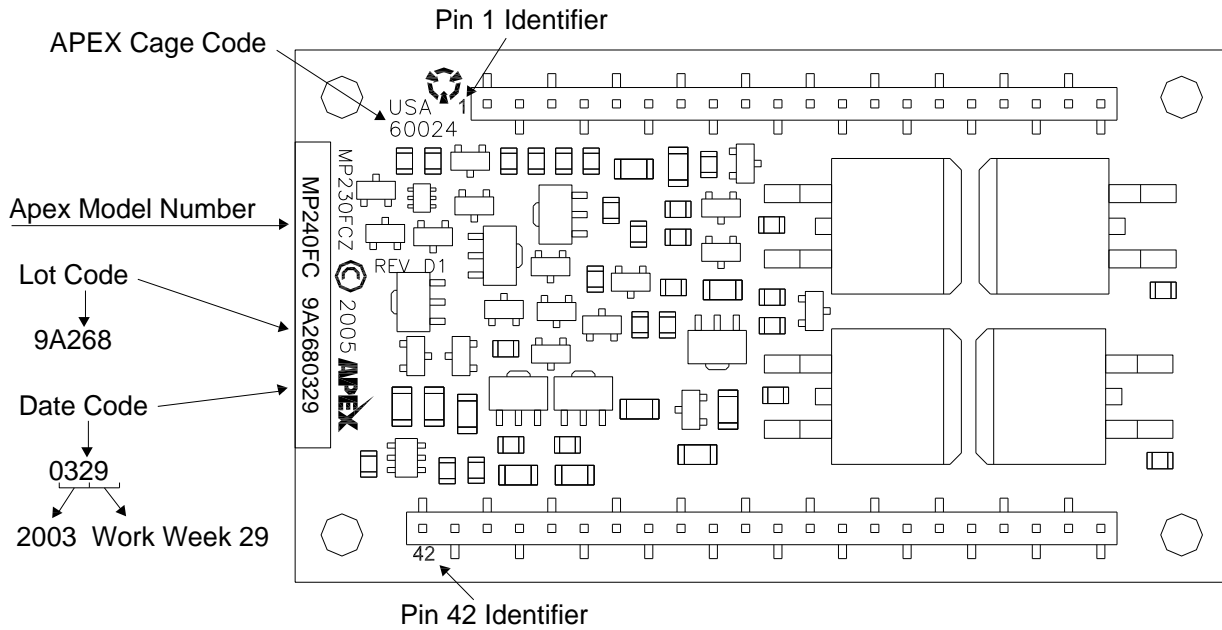
All Parts: 60024 = APEX CAGE Code

Line 5

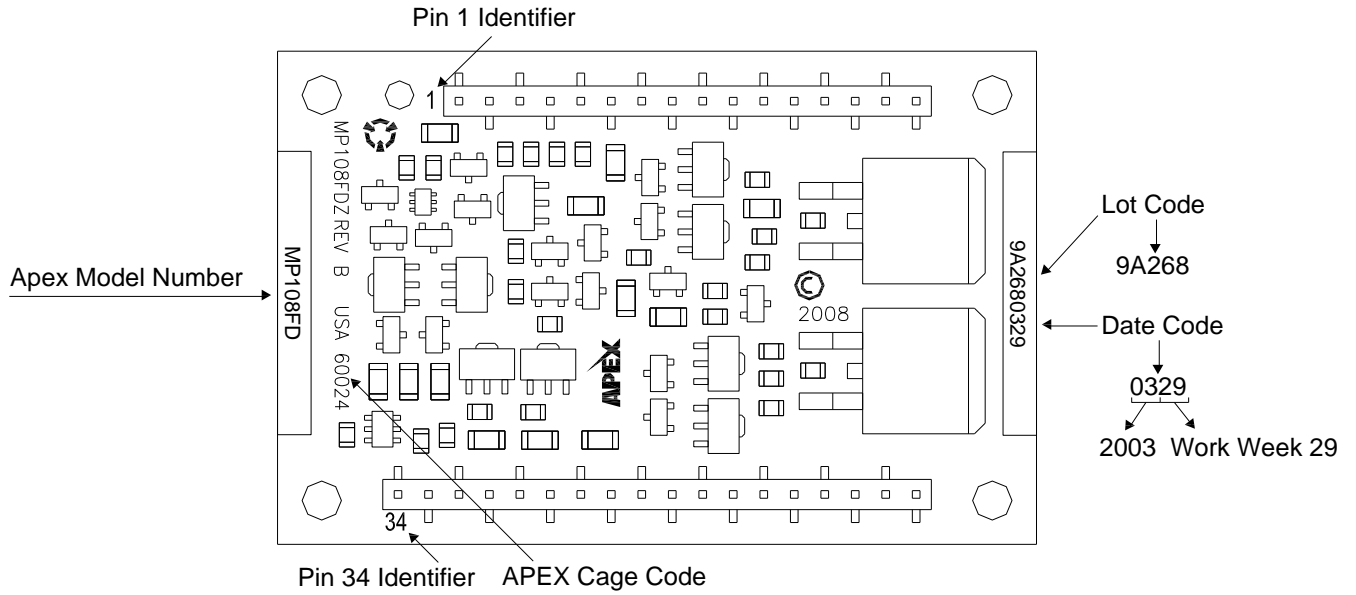
Made in U.S.A.


	TITLE: PRODUCT PACKAGE MARKING FORMATS					MODEL:	
	ENG: AB	DWN: mc	DATE: 032806	SH: 14	OF: 26	DWG NO: OFFL133	REV: L

FC PACKAGE

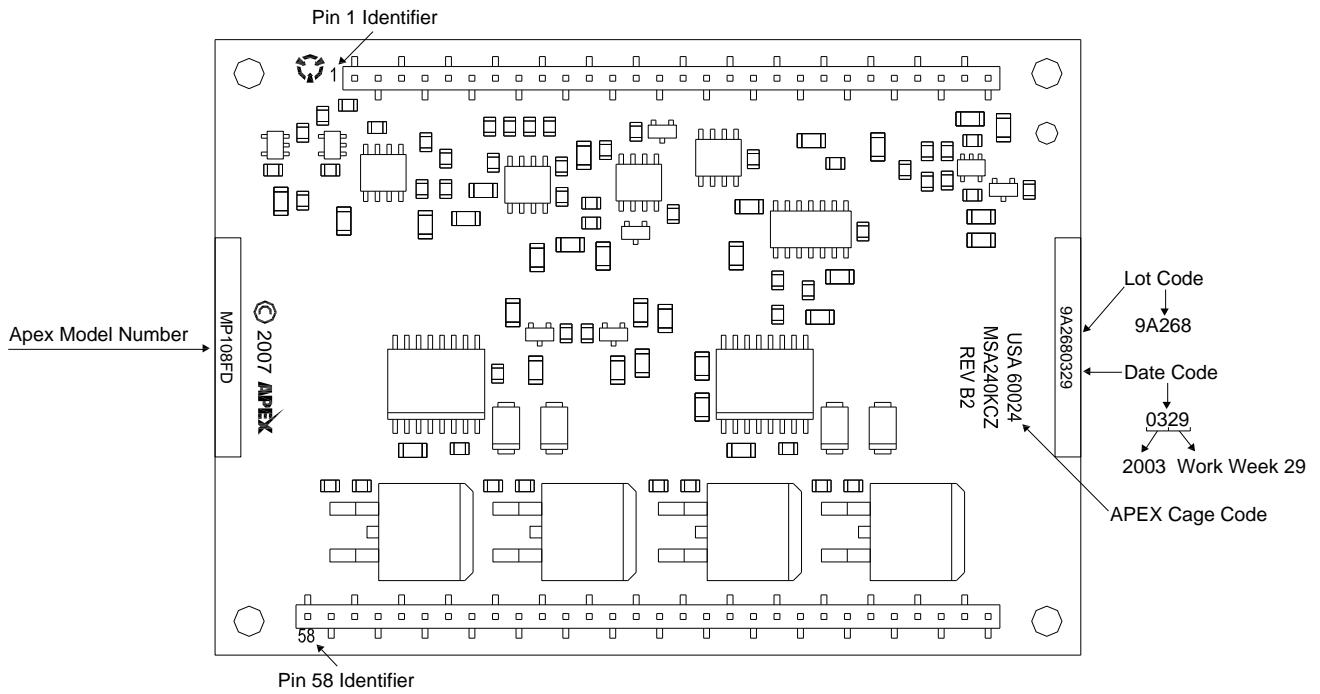


FD PACKAGE




	TITLE: PRODUCT PACKAGE MARKING FORMATS					MODEL:	
	ENG: AB	DWN: mc	DATE: 032806	SH: 15	OF: 26	DWG NO: OFFL133	REV: L

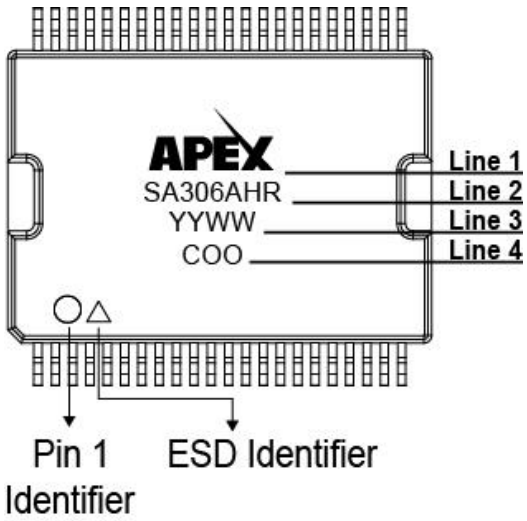
KC PACKAGE



NOTE: - CD20 Marking: Apex Model Number includes the LotCode and Date Code.

	TITLE: PRODUCT PACKAGE MARKING FORMATS					MODEL:	
	ENG: AB	DWN: mc	DATE: 032806	SH: 16	OF: 26	DWG NO: OFFL133	REV: L

HR 44-Pin HSOP Slug Down (JEDEC MO-166)




Line 1
Apex Logo

Line 2
Apex Part Number

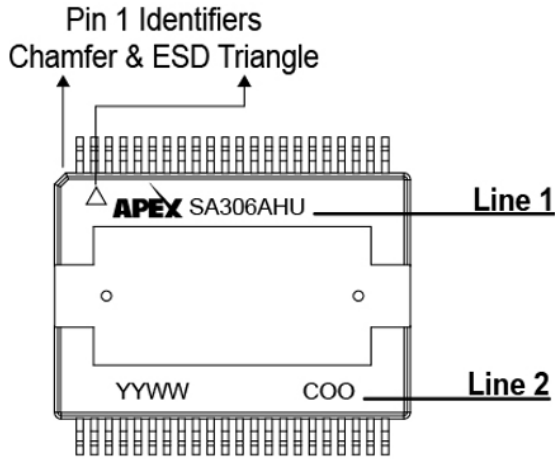
Line 3
Date Code

0309
2003 Work Week 9

Line 4
Country of Origin

	TITLE: PRODUCT PACKAGE MARKING FORMATS					MODEL:	
	ENG: AB	DWN: mc	DATE: 032806	SH: 17	OF: 26	DWG NO: OFFL133	REV: L

HU 44-Pin HSOP Slug Up (JEDEC MO-166)

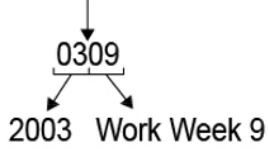



Line 1

APEX Logo Apex Part Number

Line 2

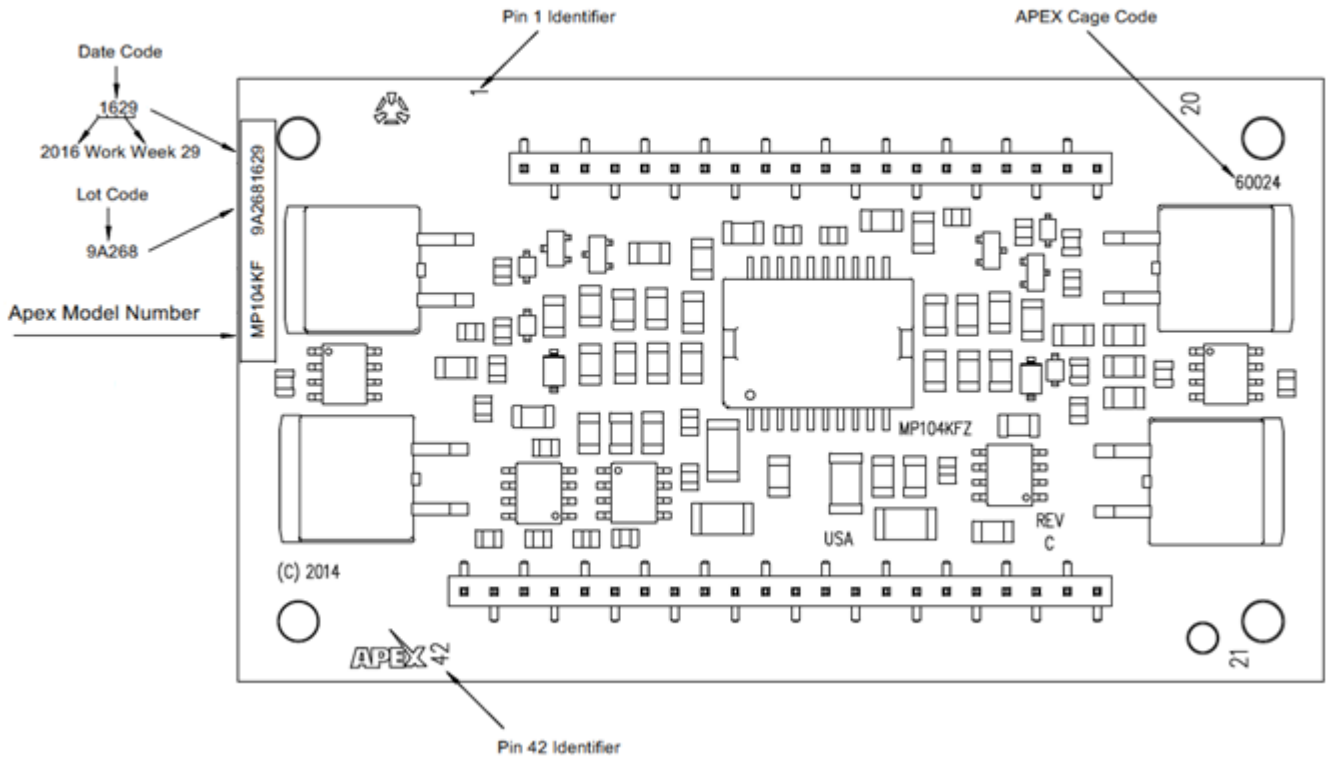
Date Code, Country of Origin




	TITLE: PRODUCT PACKAGE MARKING FORMATS					MODEL:	
	ENG: AB	DWN: mc	DATE: 032806	SH: 18 OF: 26	DWG NO: OFFL133	REV: L	DATE: 030422

KF -42-Pin Modular DIP, 1.4 Spacing

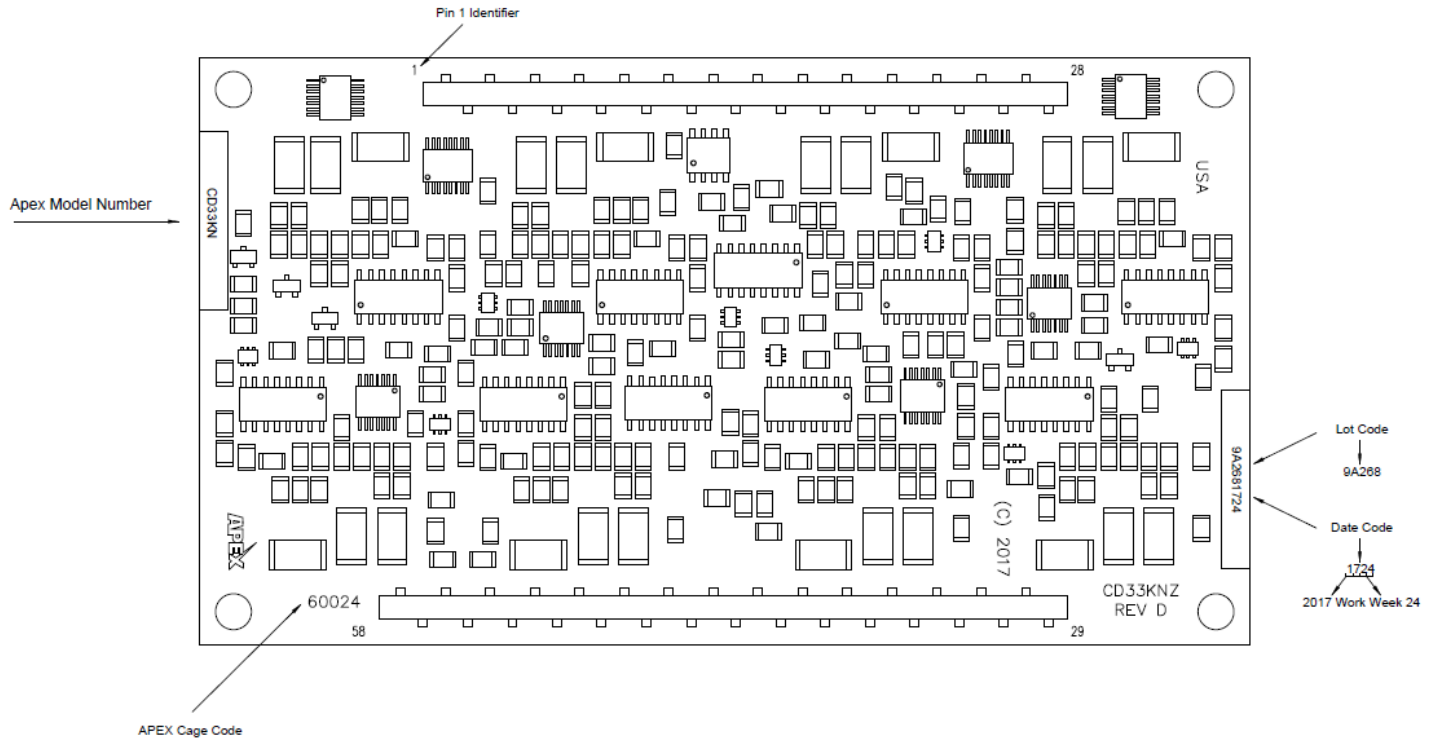
KF PACKAGE




	TITLE: PRODUCT PACKAGE MARKING FORMATS					MODEL:	
	ENG: AB	DWN: mc	DATE: 032806	SH: 19	OF: 26	DWG NO: OFFL133	REV: L

KN 58-LEAD DOUBLE SIDED MODULAR DIP, 2.3" SPACING

KN PACKAGE



	TITLE: PRODUCT PACKAGE MARKING FORMATS					MODEL:	
	ENG: AB	DWN: mc	DATE: 032806	SH: 20	OF: 26	DWG NO: OFFL133	REV: L