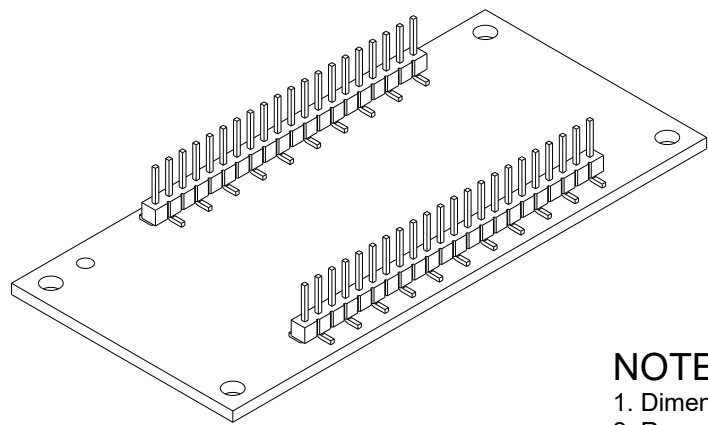
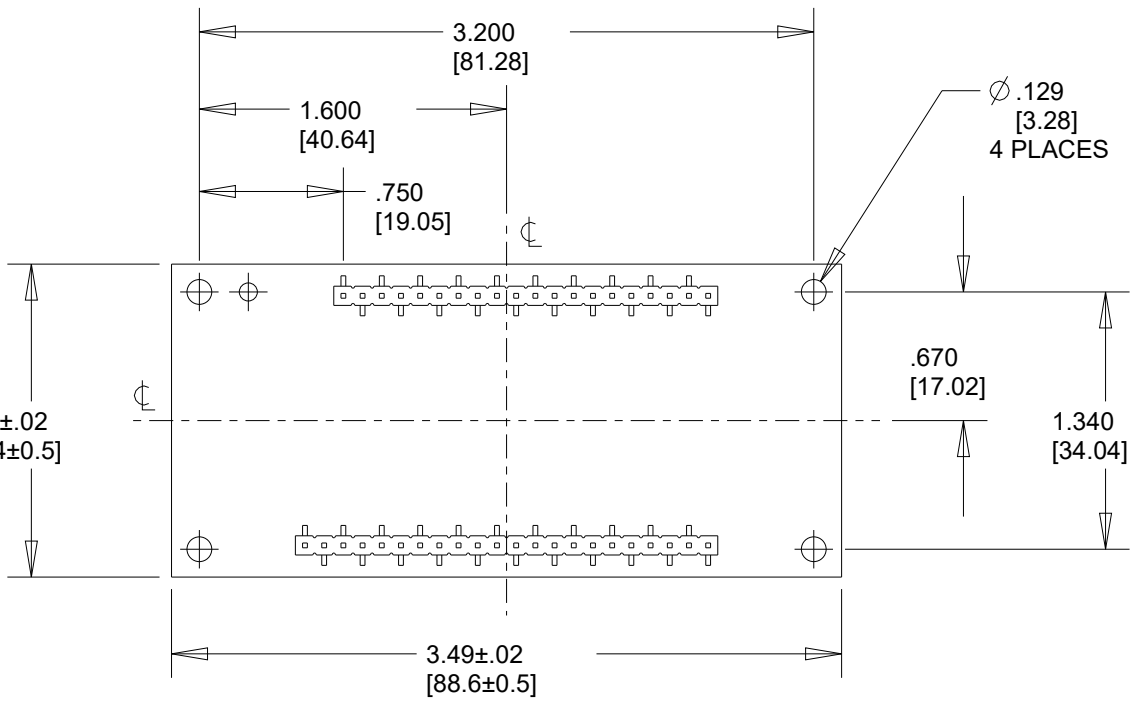
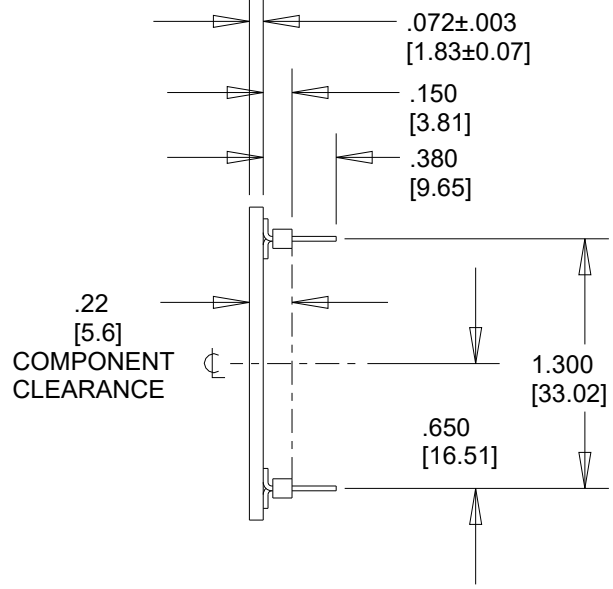


4

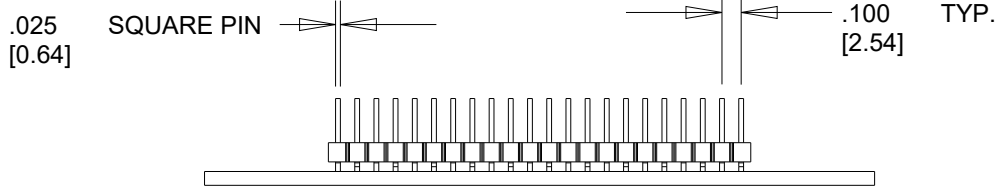
3

2

1



ISOMETRIC VIEW FOR REFERENCE ONLY



NOTES:

1. Dimensions are inches [mm].
2. Recommended PCB hole diameter for pins: 0.050 [1.27].
3. 2 oz copper over 600V dielectric aluminum substrate.
4. Tin over nickel plated phosphor bronze pins.
5. Package weight: 23 g (.81 oz).
6. Mount with #4 or equivalent screws.
7. It is not recommended that package mounting rely on the pins for mechanical support.

TOLERANCES - UNLESS OTHERWISE SPECIFIED
.XX = +/- .05" [1.27]
.XXX = +/- .005" [0.127]
ANG. = +/- 2 DEGREES



TITLE: MODULAR 42-PIN DIP 1.3" SPACING		MODEL:	
SUBJECT: MECHANICAL DRAWING		GT	
ENGINEER: MJM	DRAWN BY: BLH		

FILENAME: GT	REV: B	DATE: 14MAY21
-----------------	-----------	------------------

4

3

2

1