

4

3

2

1

D

D

C

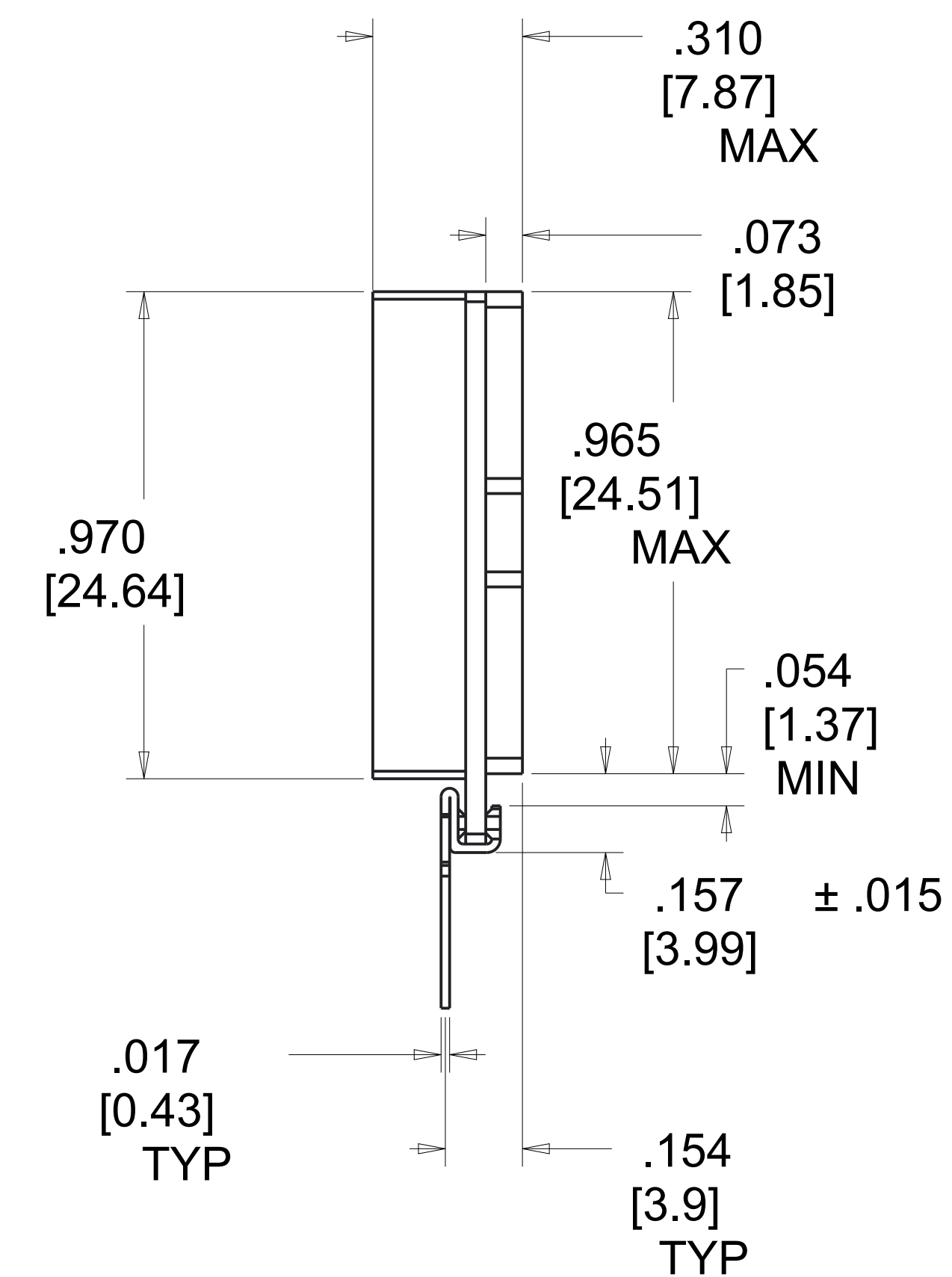
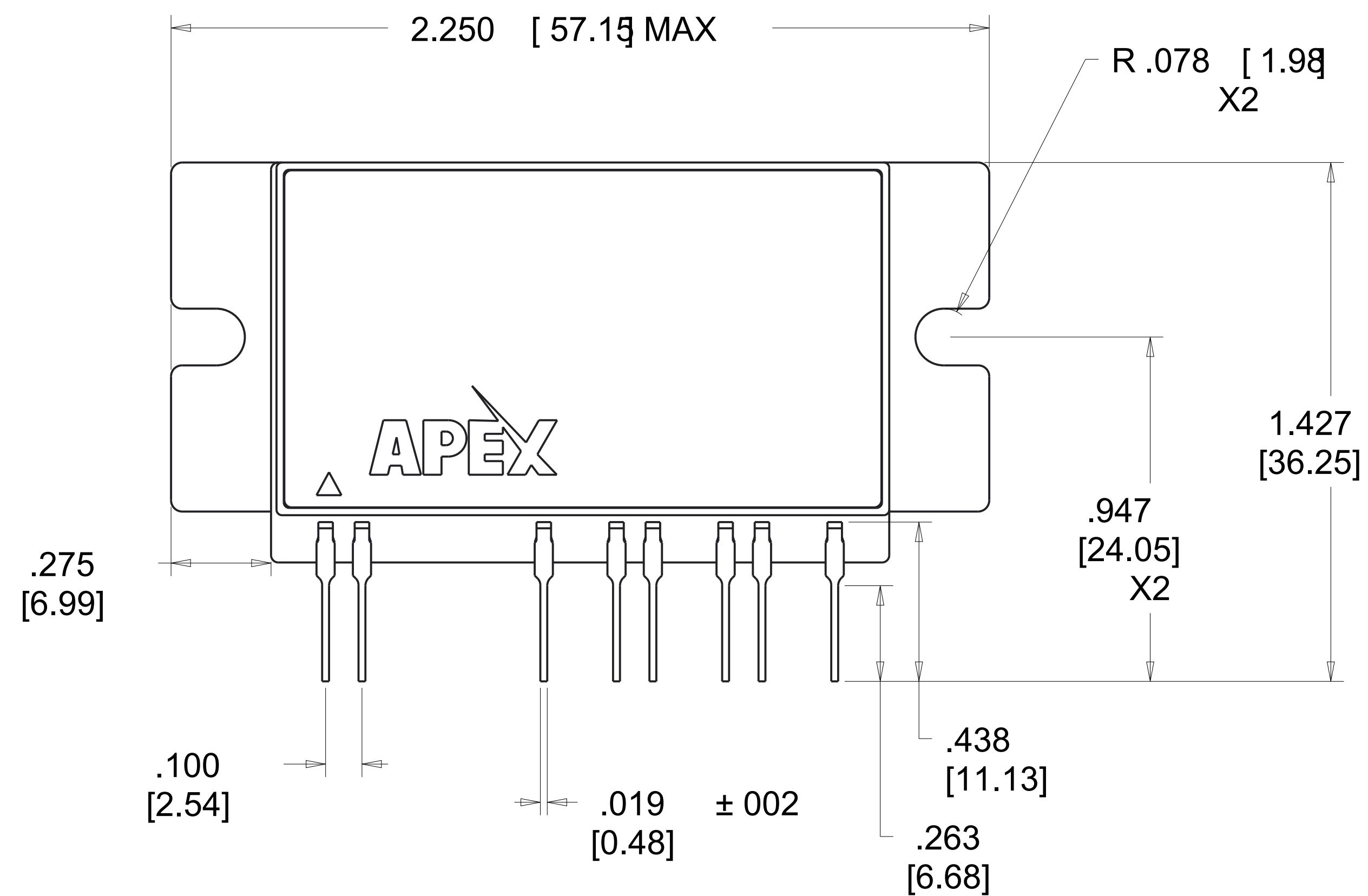
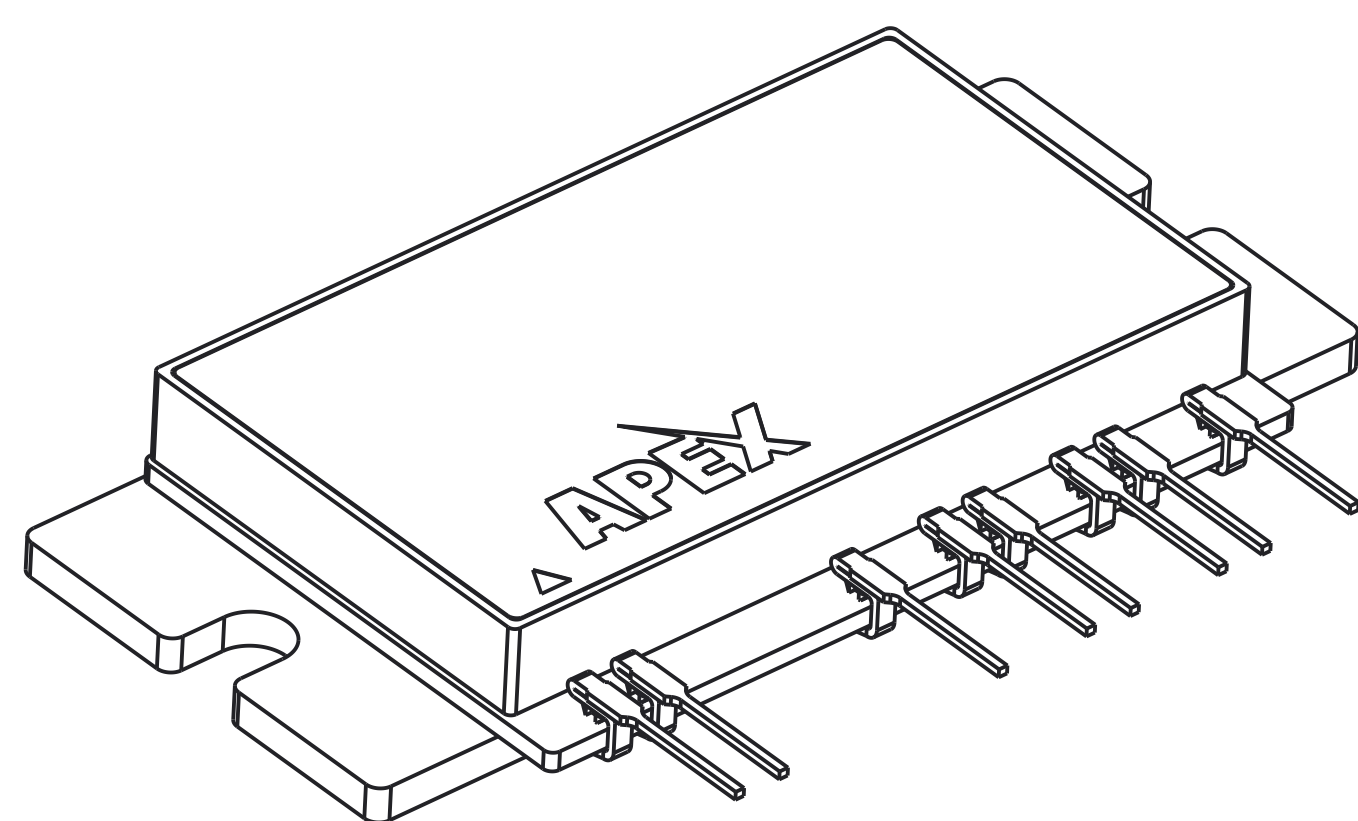
C

B

B

A

A



NOTES:

- 1. Dimensions are in inches.
- 2. Triangle on lid denotes pin 1.
- 3. Pins: Alloy 510 phosphor bronze plated with matte tin (150 - 300u") over nickel (50 u" max.) underplate.
- 4. Package: Vectra liquid crystal polymer, black.
- 5. Epoxy-sealed & ultrasonically welded non-hermetic package.

TOLERANCES - UNLESS OTHERWISE SPECIFIED	
.XX ± .01 [ .254]	
.XXX ± .005 [ .127]	
ANG. ± 5°	



TITLE: 8-PIN POWER SIP		MODEL: GN	
SUBJECT: PACKAGE OUTLINE			
ENGINEER: MJM	DRAWN BY: J.FAY	DCA: 18075	SH. OF 1 1

FILENAME: GN	REV: D	DATE: 25FEB20
--------------	--------	---------------

4

3

2

1